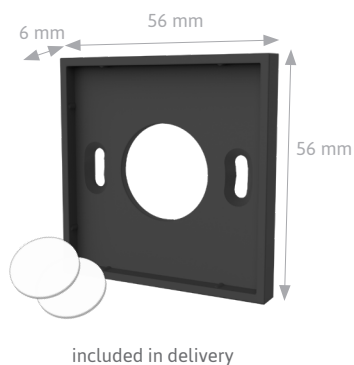


SL-SZ2DUO

Control for SIRO REC02DUO Receiver



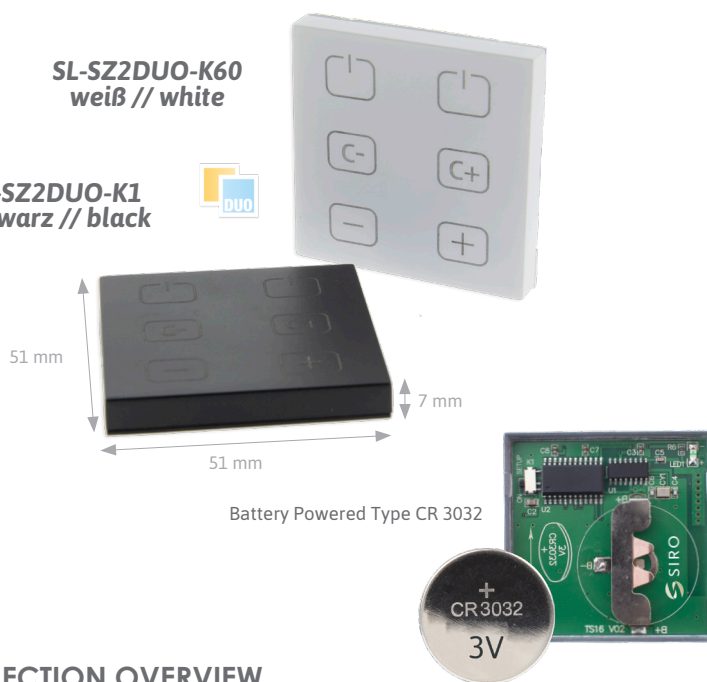
PRODUCT FEATURES

- » 2 zone control for SIRO DUO LED products
one SL-REC02DUO receiver is required per zone
- » Control of colour temperature between warm and cold white
- » Dimming function (10 - 100%)
- » Battery operated TYPE CR 3032
- » Can be used in combination with SIRO sensors
- » incl. mounting frame
- » Mounting with screws or adhesive pads
(adhesive pads included in delivery)

PRODUCT DIMENSIONS

SL-SZ2DUO-K60
weiß // white

SL-SZ2DUO-K1
schwarz // black



CONNECTION OVERVIEW

