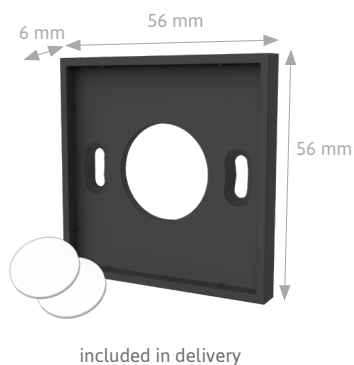


SL-SZ4MONO

Control for SIRO REC02MONO Receiver



PRODUCT SPECIFICATION

- » 4 zone control for SIRO MONO LED products
one SL-REC02MONO receiver is required per zone
- » Dimming function (10 - 100%)
- » Battery operated TYPE CR 3032
- » Can be used in combination with SIRO sensors
- » incl. mounting frame
- » Mounting with screws or adhesive pads
(adhesive pads included in delivery)

PRODUCT DIMENSIONS



Batteriebetrieben CR 3032



CONNECTION OVERVIEW

