

SL-EKJ1-K77V20

End Caps for HARD COVER SL-HC-J1-2000K



PRODUCT FEATURES

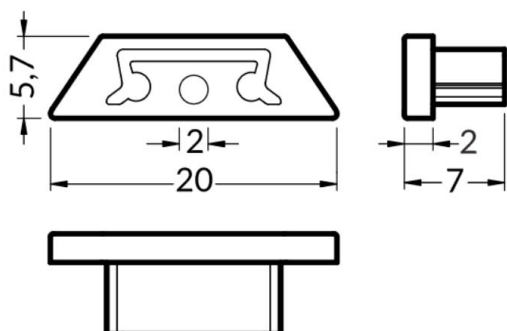
- » End caps for HARD COVER Flat SL-HC-J1-2000K
- » End cap thickness increases the length of the lamp body by 2 mm per side.
- » can be slid onto the profile

END CAP DIMENSIONS

- » Height:..... 5,7 mm
- » Width: 20,0 mm
- » Length: 7,0 mm

PRODUCT DETAILS

- » Number of end caps per package:..... 20 Stk.



ASSEMBLY INSTRUCTION

