

SL-EKJ2-K60V20

End caps for HARD COVER SL-HC-J2-2000M



PRODUCT FEATURES

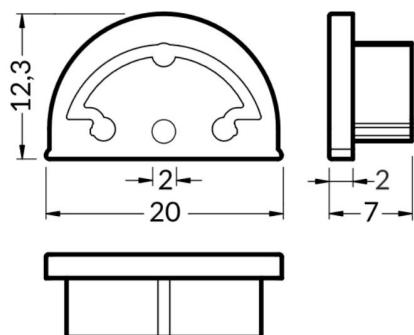
- » End caps HARD COVER Round SL-HC-J2-2000M
- » End cap thickness increases the length of the lamp body by 2 mm per side.
- » can be slid onto the profile

ENDKAPPEN ABMESSUNGEN

- » Height:..... 12,3 mm
- » Width: 20,0 mm
- » Length: 7,0 mm

PRODUCT DETAILS

- » Number of end caps per package:..... 20 Stk.



ASSEMBLY INSTRUCTIONS

